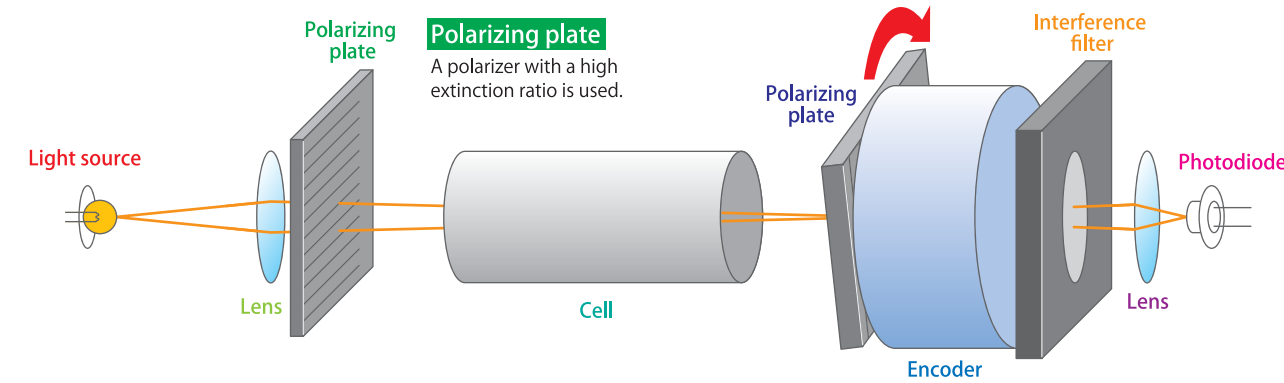


Here at last – the product of our uncompromising pursuit of ultimate usability.

- Measurement stability in **12 seconds**
(4 seconds in the high-speed & consecutive measurement mode)
- Resolution of up to **3 decimal places**
- Repeatability of $\pm 0.003^\circ$ Angle of Rotation and $\pm 0.009^\circ Z$
- Up to **999** automatic consecutive measurements followed by average value display
- **Sleep & timer feature** to take measurement later at specified time
- Improved usability with the use of **touch screen** technology
- **Connectivity to RX Digital Refractometers** for automatic purity measurement

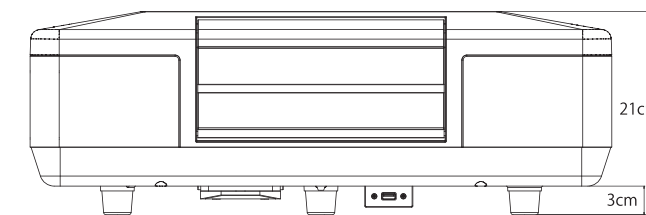
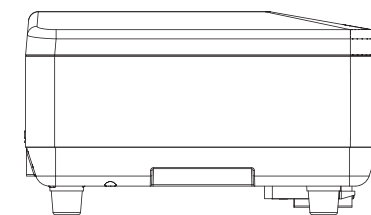
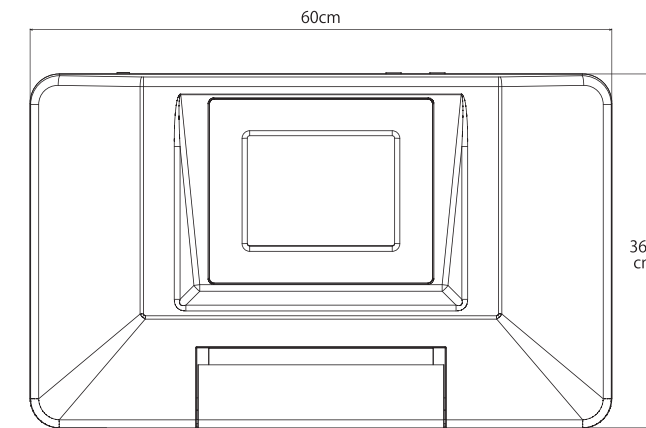


Mechanism



Specifications

Measurement Scales	Angle of Rotation, International Sugar Scale (without temperature compensation), International Sugar Scale (with Automatic Temperature Compensation), Specific Rotation, Concentration, Purity, and Angle of Rotation (Temperature Compensation of Quartz Plate)
Measurement range	Angle of Rotation -89.999 to +90.000° or -360 to +360° International Sugar Scale -259 to +259°Z
Resolution	Angle of Rotation 0.001° International Sugar Scale 0.001°Z
Measurement accuracy	Angle of Rotation Displayed value $\pm 0.005^\circ$ (-45 to +45°) International Sugar Scale Displayed value $\pm 0.015^\circ Z$ (-130 to +130°Z) (With a Standard Quartz Plate)
Repeatability	$\pm 0.003^\circ$ Angle of Rotation and $\pm 0.009^\circ Z$
Sensitivity	up to OD2*
Temperature compensation range for International Sugar Scale	10 to 40°C
Display panel	7.5 inch color LCD (touch screen)
Measurement wavelength	589nm (D-line)
Output	Digital Printer DP-63 or DP-AD (sold separately), USB flash drive and PC - USB
Observation tube included	Observation tubes (100mm [5mL], 200mm [10mL])
Power supply	AC100 to 240V, 50/60Hz
Dimensions and weight	60 × 36.5 × 21 cm, 20.0 kg



All ATAGO refractometers are designed and manufactured in Japan.

ATAGO CO., LTD.

Headquarters: The Front Tower Shiba Koen,
23rd Floor 2-6-3 Shiba-koen, Minato-ku,
Tokyo 105-0011, Japan
TEL : 81-3-3431-1943 FAX : 81-3-3431-1945

<http://www.atago.net/> overseas@atago.net

ATAGO U.S.A., Inc.	TEL : 1-425-637-2107	customerservice@atago-usa.com
ATAGO INDIA Instruments Pvt. Ltd.	TEL : 91-22-2833-8038 / 8076	customerservice@atago-india.com
ATAGO (THAILAND) Co., Ltd.	TEL : 662-982-8718-9	customerservice@atago-thailand.com
ATAGO BRASIL Ltda.	TEL : 55 16 3916-6000	customerservice@atago-brasil.com
ATAGO ITALIA s.r.l.	TEL : 39 2 36557267	customerservice@atago-italia.com
ATAGO CHINA Guangzhou Co., Ltd.	TEL : 86 20-38106065	info@atago-china.com

* Specifications and appearance are subject to change without notice.



V.03 13061000PP Printed in Japan

ATAGO®

SAC-i

Automatic Polarimeter / Saccharimeter

Cat.No.5951



High Performance Sugar Analysis, Now Easier Than Ever.

ICUMSA compliant

FDA 21 CFR Part 11 compliant

SAC-i

Automatic Polarimeter / Saccharimeter
Cat.No.5951



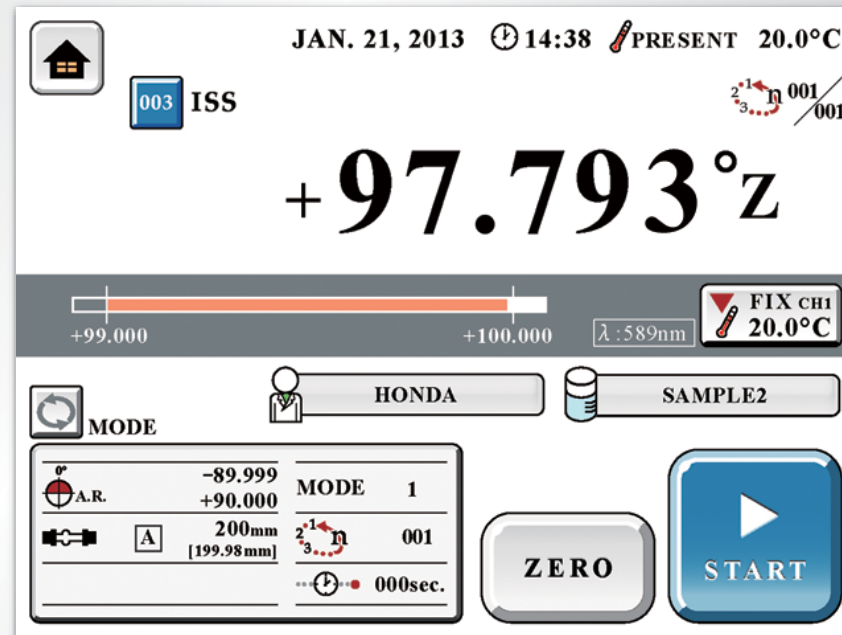
New Generation Saccharimeter



Home screen

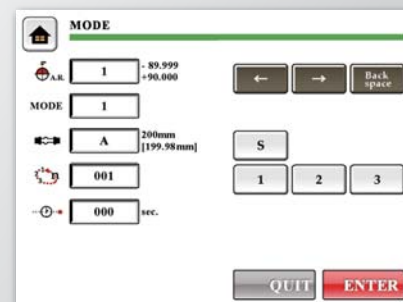
Choose from a total of 6 options – 3 graphic themes, each with 2 background options.

Smooth and Accurate Operations, Guaranteed



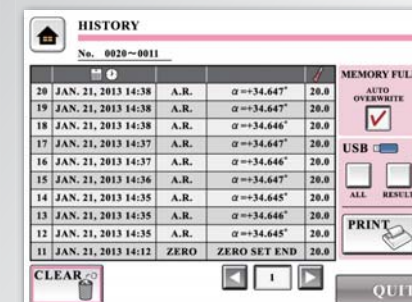
Measurement screen with setting sub-window (lower left)

Basic settings are easily accessible from a sub-window within the main measurement screen. With a touch on the screen, it can switch to display the last 10 measurement history.



Measurement mode screen

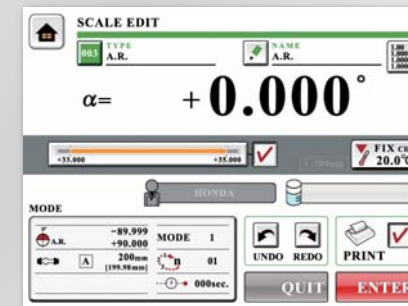
Customize measurement methods – mode, wait time, consecutive measurements, temperature, and more.



History screen

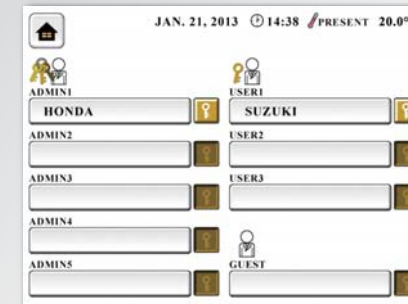
Up to 5,000 each of measurement and zero-setting / calibration data can be stored.

Touch Screen



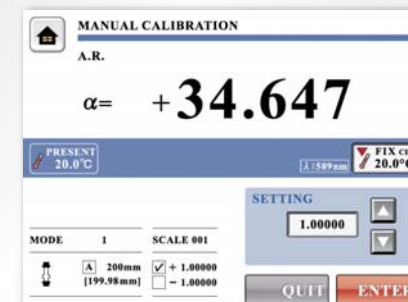
Sale edit screen

Edit and save your own scales with ease.



High-security protection

Design your ideal data security system with the 4 system levels in combination with 9 individual user passwords.



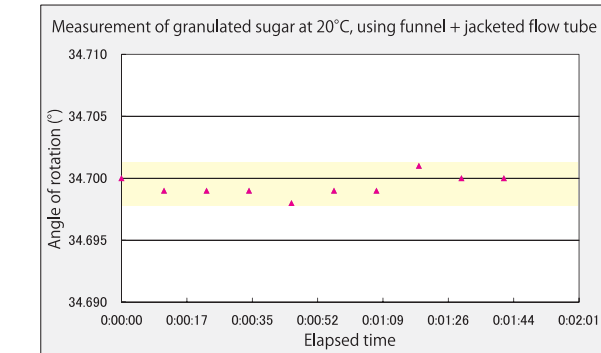
Manual calibration

Correct measurement discrepancies among units within the accuracy specification for consistency across multiple units.

Exceptional Stability & Reliability

Increased repeatability

ATAGO's innovations in technology has made high-stability measurement possible. The repeatability is the best in its class, and sample types that are conventionally difficult to measure can be measured with great repeatability and accuracy.



PTB traceability

Manufacturing and calibration is executed with quartz control plates made to the German PTB standards.



Approved by CONSECANA

The SAC-i has passed the vigorous approval process by CONSECANA, the group representing ORPLANA, the Brazilian sugarcane growers association.



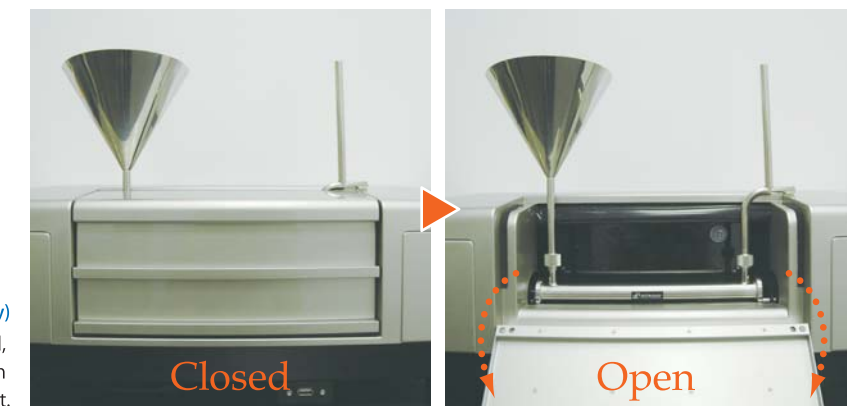
User-Friendly Construction



An observation tube length of up to 200mm can be accommodated.

USB ports are easily accessible from the front of the unit.

Hardware



Flow cell (sold separately)

The chamber cover opens forward, allowing for hassle-free installation of the flow cell attachment.

Accessories



Jacketed flow tube with funnel

Observation tubes

- RE-72072 : Observation tube 50mm long OT-50
- RE-72070 : Observation tube 100mm long OT-100
- RE-72071 : Observation tube 200mm long OT-200
- RE-72113 : Jacketed flow tube with funnel 100mm
- RE-72114 : Jacketed flow tube with funnel 200mm
- RE-72037 : Unjacketed flow tube with funnel 100mm
- RE-72038 : Unjacketed flow tube with funnel 200mm
- RE-72073 : Unjacketed small volume observationtube 10mm long
- RE-72110 : Jacketed flow tube 50mm (With water jacket)
- RE-72111 : Jacketed flow tube 100mm (With water jacket)
- RE-72112 : Jacketed flow tube 200mm (With water jacket)

Digital printer

DP-63 Cat.No.3118



- Input method : RS-232C
- Type of printer : Thermal printing
- Printing data fields : Angle of rotation, International Sugar Scale, Specific optical rotation, Concentration, Purity, Length of sample tube, Measurement temperature, Day, Month, Year and Time
- Power supply : AC adapter
- Power consumption : (Input voltage : AC100 to 240V) 13VA
- Dimensions and weight : 17×16×7cm,580g (main unit only)

Digital printer

DP-AD Cat.No.3123



- Input method : RS-232C
- Type of Printer : Dot matrix printing
- Printing data fields : on rolled plain paper (not thermal) Angle of rotation, International Sugar Scale, Specific optical rotation, Concentration, Purity, Length of sample tube, Measurement temperature, Day, Month, Year and Time
- Power supply : AC adapter
- Power consumption : (Input voltage : AC100 to 240V) 7VA
- Dimensions and weight : 11×18×9cm, 470g (main unit only)

Circulating constant temperature Bath

60-C4 Cat.No.1922



- Tank capacity : 0.5 ℓ
- Temperature setting range : 10 to 60°C (water)
- Constant-temperature accuracy : ±0.2°C, PID control method using a thermo-module
- Flow rate : 4 ℓ / min.
- Power supply : AC100 to 240V, 50 / 60Hz
- Power consumption : 430VA
- Dimensions and weight : 38×24×27cm, 11.0kg (main unit only)

Quartz control plates

- RE-72043 : Quartz Control Plate 8°(25°Z)
- RE-72044 : Quartz Control Plate 17°(50°Z)
- RE-72045 : Quartz Control Plate 34°(100°Z)
- RE-72048 : Quartz Control Plate -8° (-25°Z)
- RE-72049 : Quartz Control Plate -17° (-50°Z)
- RE-72050 : Quartz Control Plate -34° (-100°Z)

FDA 21 CFR Part11 Software

Software for compliance with 21 CFR Part 11 requirements on electronic records and electronic signatures. Cat.No.3167

